

EV **Electro-Voice**[®]
MUSIC MICROPHONES

N/D[®] **Series**
357, 357S

Supercardioid Dynamic Vocal Microphone

The Electro-Voice N/D357 is a supercardioid dynamic microphone utilizing a revolutionary neodymium alloy to form the EV-exclusive N/DYM[®] magnet with four times the power potential of conventional microphone magnets. With a computer-optimized design, the N/DYM magnetic structure provides unprecedented sensitivity while the more uniform magnetic field lowers distortion during peak sound pressure levels.

The large diaphragm contains 50 percent more surface area than conventional designs and is reinforced to prevent "breakup." The result is an extended high-frequency response with an open, transparent sound quality.

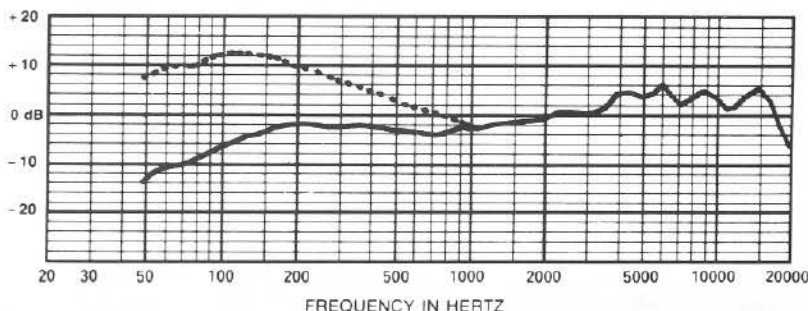
The exceptional sensitivity of the N/D357 combined with the inherently low noise of a dynamic transducer insures a superior signal-to-noise ratio ready for digital recording and sampling. To further reduce noise, a highly effective hum-bucking coil is used to cancel hum from lighting and other sources.

The N/D-Series design also features a unique shock mount totally surrounding the microphone element. Combined with the elastomeric Warm-Grip[™] handle and windscreen bumper, this vibration-isolation system greatly reduces all forms of handling noise. An acoustifoam[™] pop filter is included to reduce both wind noise and "p-pop" breath sounds.

The uniform supercardioid polar pattern of the N/D357 insures superior gain-before-feedback in live applications and better isolation in the studio—at all frequencies—compared with other directional microphones with widely varying polar characteristics.



FREQUENCY RESPONSE



N/D[®] 357, 357S

SPECIFICATIONS

Frequency Response,	
Close Response:	25 to 20,000 Hz
Far Response:	55 to 16,000 Hz
Polar Pattern:	supercardioid
Open Circuit Voltage:	2.2 mV/Pascal @ 1000 Hz
Sensitivity:	-53 dB (where 0 dB = 1 mW/10 dynes/cm ²)
Dynamic Range:	141 dB
Equivalent	
Output Noise:	17 dB (0 dB = .0002 dyne/cm ²)
Impedance:	150 ohms balanced (Lo-Z)
Weight:	7.05 ounces (200 grams)
Dimensions,	
Height:	7.12 inches (181 mm)
Diameter:	2.05 inches (52 mm)
Shank:	0.80 inch (20 mm)

OPERATION

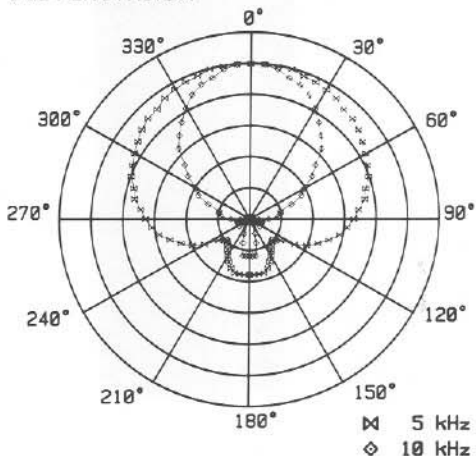
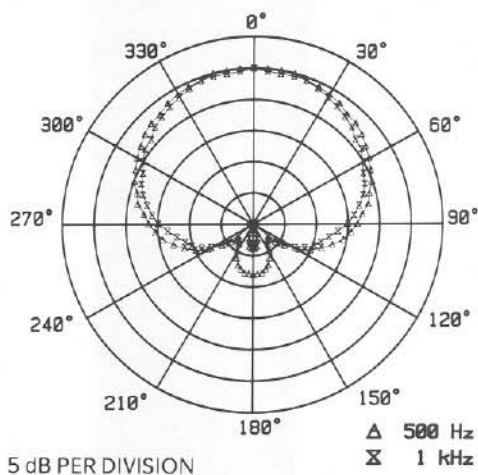
The high- and low-frequency response of the N/D357 can be extended by positioning the microphone closer to the sound source as documented in the specification section. This baffle and proximity effect occurs when the microphone is placed within 12 inches of the sound source and increases as the working distance is reduced. The low-frequency response is tailored to provide bass boost without the "boominess" of many directional microphones. Thus, closer working distances can be used with N/D357 to reduce the risk of sound system feedback (ringing) while preserving intelligibility.

The N/D357S is equipped with an on/off switch that shorts the mic element when set to off position permitting the user to have local muting control.

The dynamic element of the N/D357 will provide reliable operation in humidity and temperature extremes-adverse conditions that would render condenser microphones useless. For years of trouble-free operation "on-the-road," the N/D357 utilizes an all-metal-core construction, from the hardened windscreen to the Warm-Grip covered handle.

Patent Pending.

POLARS



CERTIFIED PERFORMANCE

Every N/D357 is inspected by a quality-control technician and subjected to a computer-controlled test system that verifies over 80 different performance parameters. After the performance meets or exceeds our rigorous standards, the actual measured frequency response of the unit tested is plotted on a "Certificate of Performance" and included with the microphone. This certificate guarantees that each N/D357 will perform to the exacting standards established by EV design engineers — **100% quality-assurance testing.**

WARRANTY (LIMITED) —

Electro-Voice N/D[®] Series Microphones are guaranteed against malfunction from any cause for a period of two years from date of original purchase. Also, these microphones are guaranteed without time limit against malfunction in the acoustic system due to defects in workmanship and material. Other provisions apply; please see warranty card enclosed with microphone, or write for complete details.



ELECTRO-VOICE, INC., 600 Cecil Street, Buchanan, Michigan 49107

MANUFACTURING PLANTS AT ■ BUCHANAN, MI ■ NEWPORT, TN ■ SEVIERVILLE, TN ■ REDMOND, WA ■ GANANOQUE, ONT.
© Electro-Voice, Inc. 1989 ■ Litho in U.S.A. Part Number 531223-918

a MARK IV company